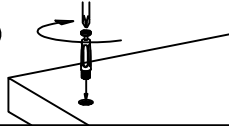
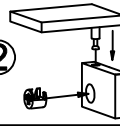


ASSEMBLE INSTRUCTION

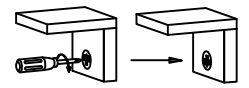
①



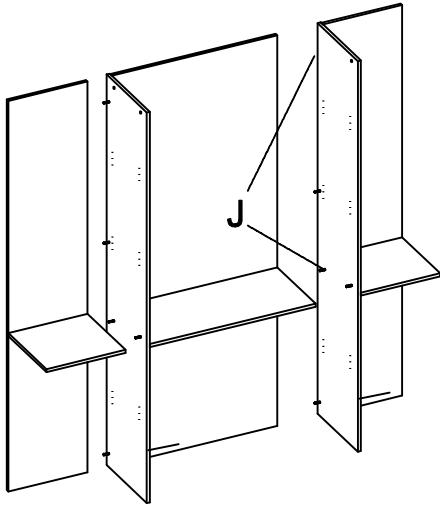
②



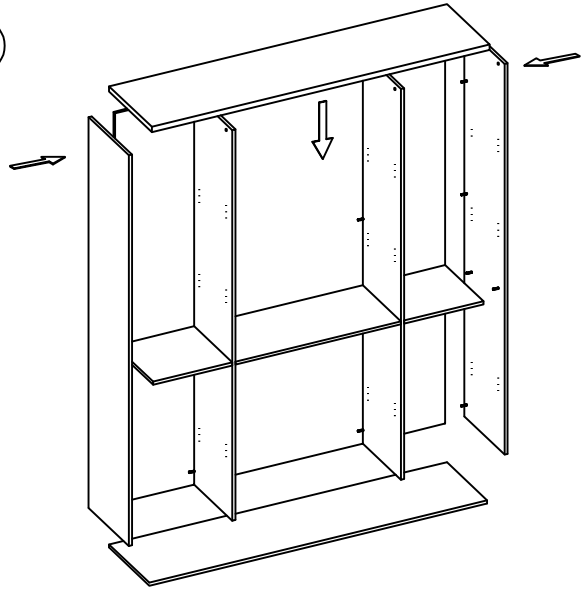
③



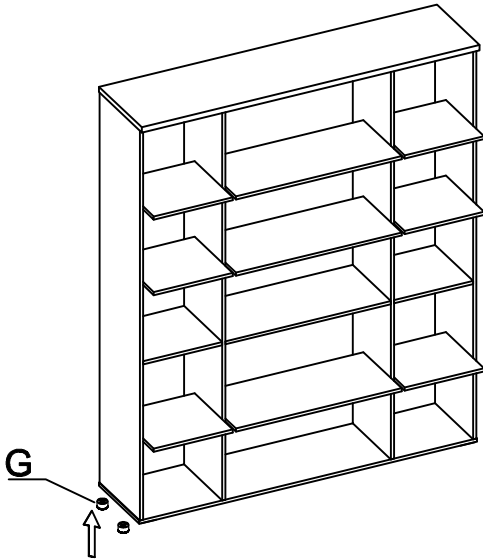
①



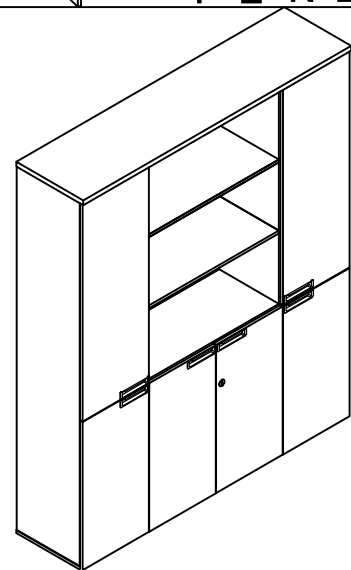
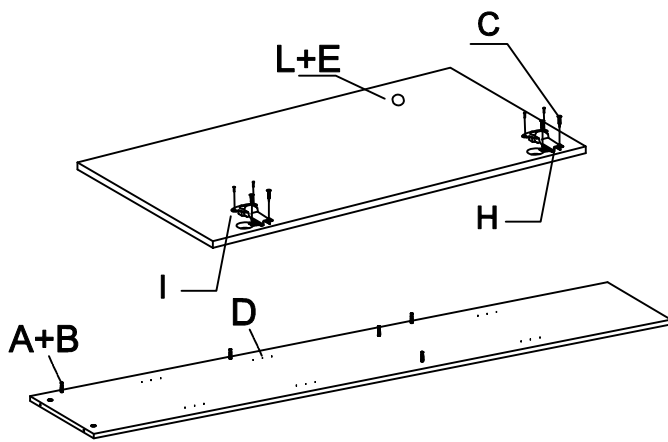
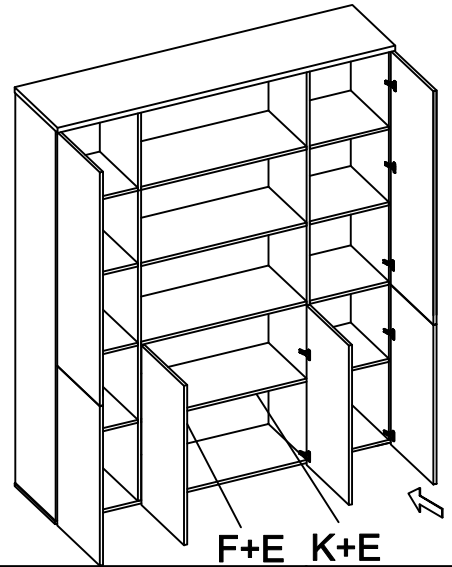
②



③



④



No.	A	B	C	D	E	F	G	H	I	J	K	L	
PARTS LIST			 M3.5x14		 4x20								
QTY	56	80	108	36	4	1	5	10	4	12	1	1	